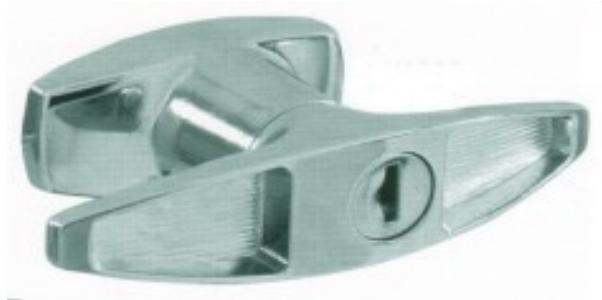


T SHAPE HANDLE FRONT AND REAR FIXING

This lock is ideal for use on garage doors. An 8.0mm square drive is operated by unlocking then rotating the handle. There are two versions: a rear fix and a front fix. The rear fix has 3/16 inch tapped holes concealed underneath the rose. The front fix is designed to be used with 3/16 inch coach screws fitted from the front of the rose.



Specifications

- Zinc Alloy Die Cast Housing.
- Key Free in Locked and Unlocked Positions - B & C movement only
- Key Free in Locked Position Only - S movement only.
- 1 Pair of Nickel Plated Keys per Lock.

Code Information

KEY SERIES

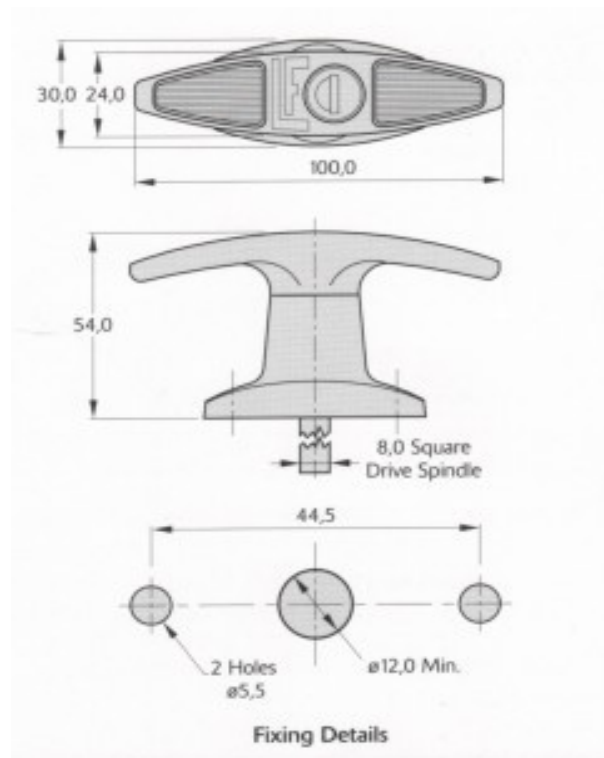
- - - Non Locking Handle
- 01 200 Combnations- Non Master Keyed.
- 02 200 Combinations - Master Keyed.

FINISH

- 3 Bright Chrome.

MOVEMENT

- B 180 Rotation of Handle to Unlock.
- S 90 Clockwise Rotation of handle to Unlock.
- A 90 Anti-Clockwise Rotation of handle to Unlock.
- C 90 Clockwise Rotation of Handle to Unlock
- Key Free in Locked and Unlocked Positions



SPINDLE TYPE

- Please contact Lock Focus for the full range of spindles available

CAM TYPE

- Please contact Lock Focus for the full range of cams available

Ordering Details *Measurements shown in mm*

STEP 1	STEP 2	STEP 3	STEP 4
A / HG8R/ KEY SERIES / FINISH + MOVEMENT / SPINDLE + CAM TYPE			
A / HG8F/ KEY SERIES / FINISH + MOVEMENT / SPINDLE + CAM TYPE			

Ordering example: A / HG8R / 01 / 3 B / E - -

- ADVISE Keying requirements, eg. keyed alike.