

Digi LS101 Pushbutton Electronic Leverset Door Lock

Product ID: LK 6600-101

RRP: See Price Table bellow

Convenient - Keyless entry keypad unlocking.

Secure - Key override with optional Anti-Bump cylinder.

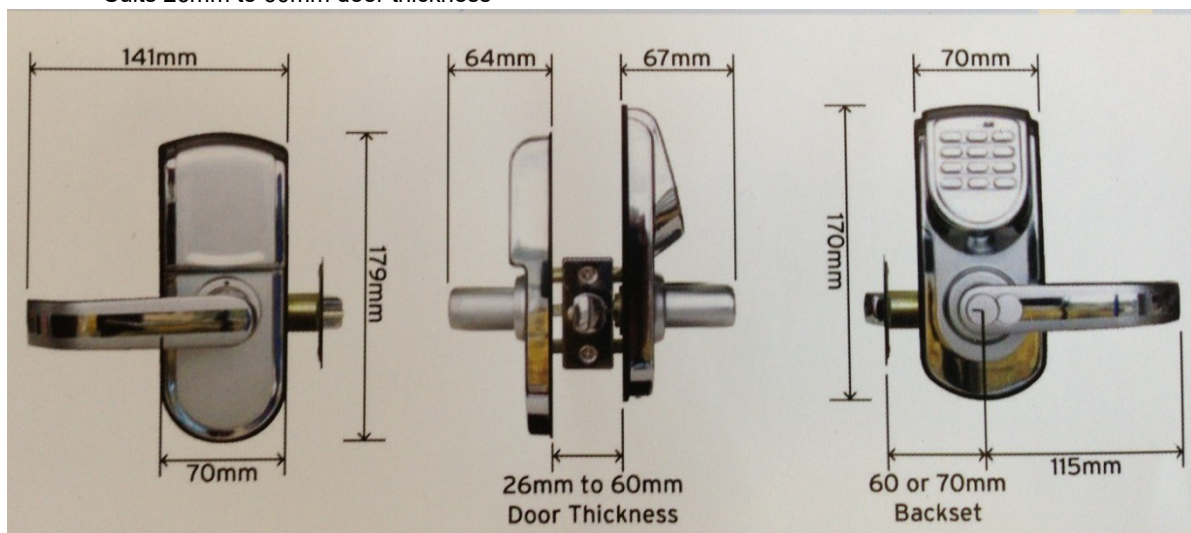
Safe - Battery powered with emergency override.

Simple - Easy DIY installation and operation.

Suitable - Residential, commercial or industrial use.



- Code Mode: outside locked, inside unlocked for egress. (default mode)
- Touch Mode: outside press any key to unlock, inside unlocked. (keypad activated)
- Key Override Mode: outside unlocked, inside unlocked. (key activated, read manual)
- 200 User Codes (6 digit numbers)
- 1 Master Code (6 digit number)
- Mechanical key for emergency override
- 10 second lockout after 3 wrong code attempts
- 4 x AA standard 1.5V alkaline batteries
- Battery life = 1 year - 8000 cycles at 20 openings per day
- Low battery warning alert light and tone (6 beeps)
- Emergency 9V battery override terminal
- Simple do-it-yourself installation
- Includes 60-70mm cylindrical latch
- Bump resisting PD cylinder compatible with high security cylinders
- Suitable for office, apartment and house doors
- Handing is determined by whatever side of door the hinges are on from the outside, i.e. on outside of the door if the hinges are on the left side of door the lock is LH
- Suits 26mm to 60mm door thickness



Products

Product Code	RRP Inc. GST	Description	Handing
6600-101LH	\$330.00	KO PD CYL SC 60-70	LH
6600-101RH	\$330.00	KO PD CYL SC 60-70	RH

Spares

Product Code	RRP Inc. GST	Description
6600-L60	\$20.00	Digi spare latch 60mm satin chrome
6600-L70	\$20.00	Digi spare latch 70mm satin chrome

Product Code	RRP Inc. GST	Description
6600-TSPR	\$20.00	Torsion spring
6600-BLOCK	\$58.43	Digi Display block only